

DATA SHEET

Si-10

UNIVERS'L Piston pump

Sauermann® part #: S110CE02UN23



The universal replacement pump

The distinctive shape of the Si-10 UNIVERS' L Replacement Pump makes it ideal for both new installations and refurbishments, serving as the perfect replacement for the majority of quick fit elbow pumps currently in situ on the market. Boasting a high performance 20L/h flow rate, patented dual wave piston pump technology and quiet operation that has been independently tested to ISO standards; the Si-10 UNIVERS'L Replacement Pump ensures an enhanced installation and maintenance experience.

Benefits



Universal installation

- Allows the replacement of the majority of quick fit elbow pumps on the market over the last 10 years
- Included in 80x50 and 80x60 Delta Packs
- Covers a large range of capacity, up to 20 kW



Silent

- Silent operation: 22 dBA at full power - Independently tested



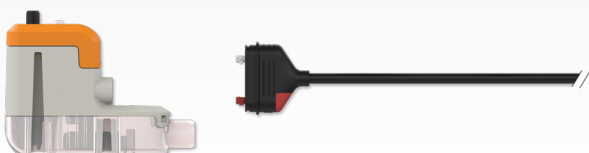
Easy pump maintenance

- Transparent, removable reservoir
- Secure float assembly
- Lockable plug-in power cable to avoid unintended disconnection



Proven reliability

- Patented piston pump technology
- No filter. Designed to allow free passage of particles up to 2 mm
- High flow – Up to 20 ltr/hr = Less run time



Kit content

- Si-10 piston pump unit
- Integral detector
- 1.5 m lockable plug-in power cable: 2 power wires, 2 safety switch wires

Technical specifications

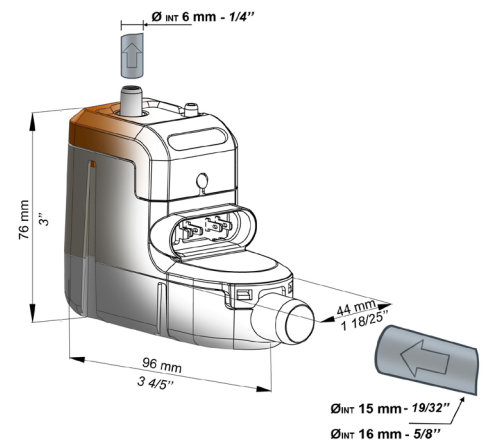
Max flow rate	20 l/h
Max. discharge head	10 m (Flow rate=4l/h)
Max pressure	14 m (Flow rate=0 l/h)
Sound level at 1 m according to EN ISO 3744 (measured at LNE lab, pump operating with water, out of application)	22 dBa
Mains supply	230 V~ 50/60 Hz - 14 W
Insulation class	□ (double insulation)
Detection levels	ON: 18 mm - OFF: 13 mm - Safety: 21 mm
Safety switch	NC 8 A resistive - 250 V
Thermal protection (overheating)	115 °C (auto reset)
Operating conditions	100 % - continuous duty
Protection	IPX4
Safety standards	CE & EAC
RoHS & WEEE directives	Compliant
Packaging	0.33kg – L285 x H245 mm

Applications

- For use with any air-conditioning units, up to 20 kW: wall mounted

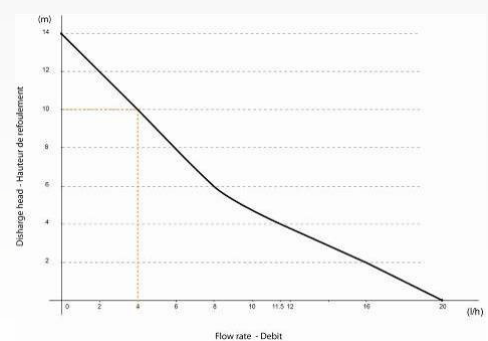


Dimensions

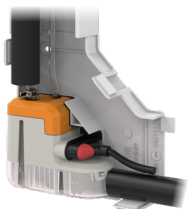


Actual flow rates (l/h)

Discharge head	Total tube lenght using (Ø int 6 mm, 1/4")			
	5 m	10 m	20 m	30 m
0 m	20	19	18	17
2 m	16	15	14	13,5
4 m	11,5	11	10,5	10
6 m	-	8,5	7,5	6,5
8 m	-	6	5	4
10 m	-	4	3,5	2,5



Replacement pump for trunking systems



Can replace the majority of the quick fit elbow pumps on the market over the last 10 years, including pumps installed in Delta Pack (DP10CE01UN23, DP10CE02UN23, DP10CE04UN23, DP10CE05UN23, DP10CE06UN23).