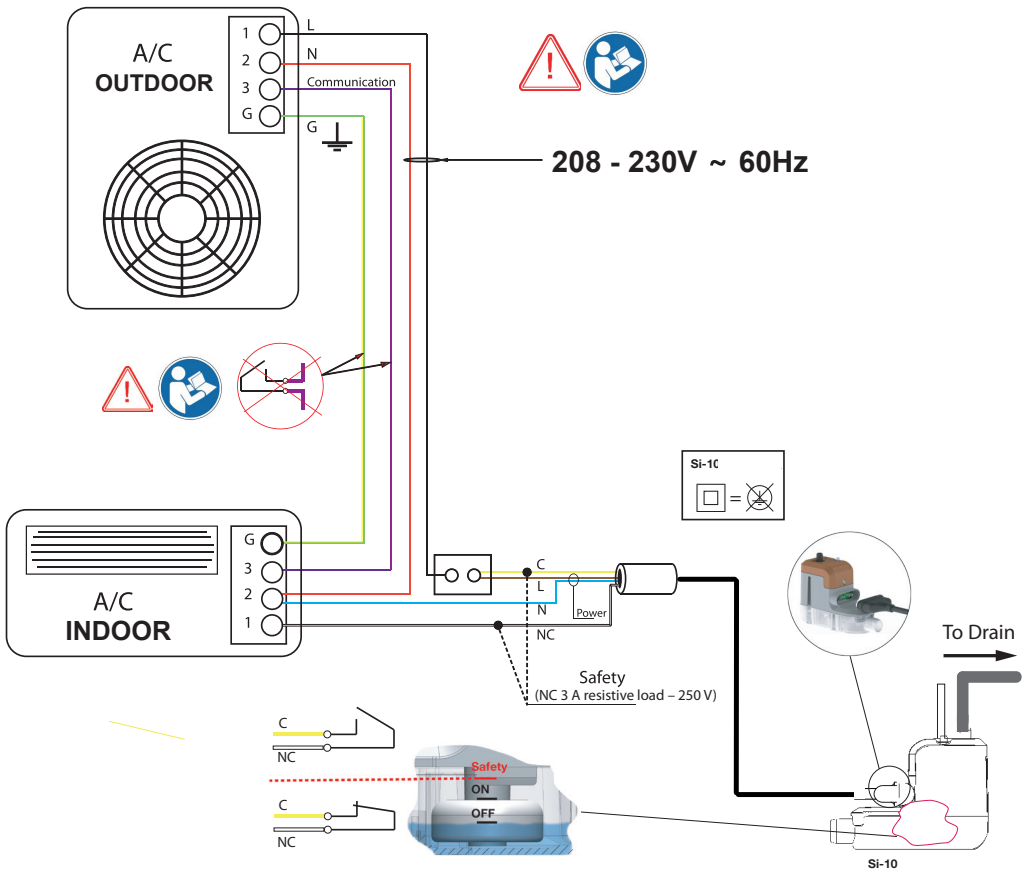


Si-10 / Delta Pack (208-230 V ~ 60Hz)

Split & Multisplit System

N012_01_2531



Si-10 / Delta Pack (208-230 V ~ 60Hz)

VRF System

