

DATA SHEET

Si-10 Univers'L

Piston pump

Sauermann® part #: SI10CE03UN23



Versatile pump

The distinctive shape of the Si-10 UNIVERS' L pump allows its use in both new installations and refurbishments. The improved pump ensures a reduced sound level and the design offers ease of maintenance.

Benefits



Universal installation

- A single pump for multiple applications: Covers a large range of capacity, up to 20 kW.
- Included in our 80x50 and 80x60 Delta Pack.
- Allows the replacement of the majority of quick fit elbow pumps on the market over the last 10 years.
- "Drain Safe Device" facilitates connection to the discharge pipe.



Easy maintenance

- Transparent, removable reservoir.
- Secure float assembly
- Lockable plug-in power cable to avoid unintended disconnection.



Silent

- Silent operation: 22 dBA at full power - Independently tested.
- Mounting bracket designed to reduce vibration transmission.



Proven reliability

- No filter. Designed to allow free passage of particles up to 2 mm.
- High flow – Up to 20 ltr/hr = Less run time
- The Drain Safe Device retains prime and prolongs the pump life.



Kit content

- Si-10 piston pump unit
- Integral detector
- Clear PVC tube Ø int. 6 mm – L: 1 m, fitted with a « Drain Safe Device » pre-mounted
- Anti vibration mounting bracket
- 1.5 m lockable plug-in power cable: 2 power wires, 2 safety switch wires
- Installation kit:
 - 90° elbow pipe Ø int. 15 mm x L 60 mm
 - Vent tube Ø int. 4 mm x L 75 m

Technical specifications

Max. flow rate	20 l/h
Max. discharge head	10 m - Flow rate = 4 l/h
Max pressure	14 m - Flow rate = 0 l/h
Sound level at 1m according to EN ISO 3744 (Measured at LNE lab, pump operating with water, out of application)	≤ 22 dBA
Sound level in application at 1m (Measured at Sauer mann lab, pump operating with water)	≤ 25 dBA
Mains supply	230 V~ 50/60 Hz - 14 W
Insulation	☐ (double insulation)
Detection levels	ON: 18 mm; OFF: 13 mm; Safety: 21 mm
Safety switch	NC 3 A resistive load – 250 V
Thermal protection (overheating)	115 °C (Auto reset)
Max. condensate temperature	35 °C
Operating and storage temperature	+2 to +50 °C
Operating conditions	100 % - Continuous duty
Protection	IPX4
Safety standards	CE et EAC
RoHS directive	Compliant
WEEE directive	Compliant
Packaging	L 170 x W 160 x H 95 mm
Weight (including box)	0,41 kg
Masterpack	12 pieces




Applications

For use with any air-conditioning units, up to 20 kW:

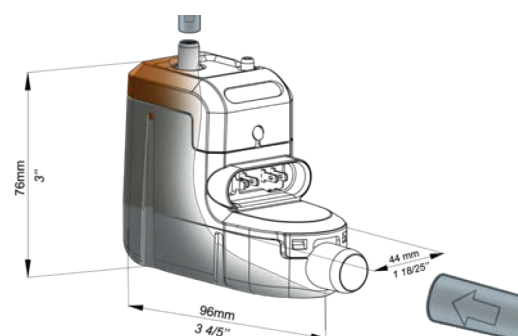
- Wall mounted
- Ceiling suspended
- Ducted
- Fan-coils

Accessories

Name	#Part
 Clear PVC hose Ø int. 6 mm (1/4")	ACC00909: 5 m ACC00910: 50 m ACC00914: Braided, 50 m



Self-sealing fittings for hose
Ø int. 6 mm (1/4") ACC00919



Actual flow rates (l/h)

Total tube length (Ø int. 6 mm; 1/4")

Discharge head	5 m	10 m	20 m	30 m
0 m	20	19	18	17
2 m	16	15	14	13,5
4 m	11.5	11	10.5	10
6 m		8.5	7.5	6.5
8 m		6	5	4
10 m		4	3.5	2.5

