

DATA SHEET

# pH Safe 1

## Neutralisation cartridge

Sauermann® part #: PH0100SIUN23



### Safe, easy and Eco-friendly

The innovative pH Safe neutralisation cartridge is patent pending. Capable of neutralising up to 800 litres (200 USgal) of acidic condensates at pH 3, the pH Safe 1 has been specifically designed to treat condensates produced by gas condensing boilers. The pH Safe simply slots into the Si-82 condensate removal pump.

### Benefits



#### Preserve the plumbing system and the environment

- Prevents damages on concrete and plastics.
- Prevents corrosion on metal parts.
- Respects the environment.



#### Constant efficiency

- Sludge is permanently evacuated through the pump and the neutralisation capacity remains constant.
- Treatment of the concentrated acid is immediate. No dilution from standing water inside the tank.
- Reduced maintenance.



#### Easy to install

- Easy to install and replace, quick fit cartridge slots inside the pump inlet.
- No limestone sludge build up.
- No dead volume of sulphuric acid.
- Compact design suitable for both floor and wall mounted boilers.



#### Replacement made easy

- The transparent cartridge with gauge and identification label indicates when the cartridge should be changed.



#### Siphon trap

- The neutralisation cartridge slots inside the pump and sits below the drain water level. This creates a permanent siphon trap that limits the amount of acidic fumes escaping inside the property.



### Kit content

- Neutralisation cartridge
- Maintenance identification label



## Technical specification


Max. condensate acidity	pH > 3.0 (Gas condensing boilers)
Max. condensate volume	800 litres (200 USgal)
Sauermann pump compatibility	Si-82 range; SI1800 range
Max. boiler capacity: 25 kW (can be more depending on actual pH level and condensate volume)	
Estimated replacement period: 12 months (can be more depending on actual pH level and condensate volume)	
Inlet tube diameter	Ø int. 15 – 17 mm (OD 19/32" – 5/8")
Max. condensate temperature	65 °C (80 °C – 1 min) 150 °F (176 °F – 1 min)
Safety standards	CE
RoHS directive	Compliant
WEEE directive	Compliant
Treatment product Weight	0.100 kg
Weight (including box)	0.130 kg
Cartridge	L 151 x Ø ext. 29.5 mm Inlet Ø ext. 17 mm (OD 5/8")
Packaging	1 piece (L 42 x W 40 x H 170 mm) (L 1"21/32 x W 1"9/16 x H 6"11/16)
Masterpack	15 pieces - 2.0 kg - L 215 x W 135 x H 180 mm (L 8"15/32 x W 5"5/16 x H 7"1/16) – 4.4lb
Pallet quantity	1875 pieces (EUR size) – 250 kg (550 lb)

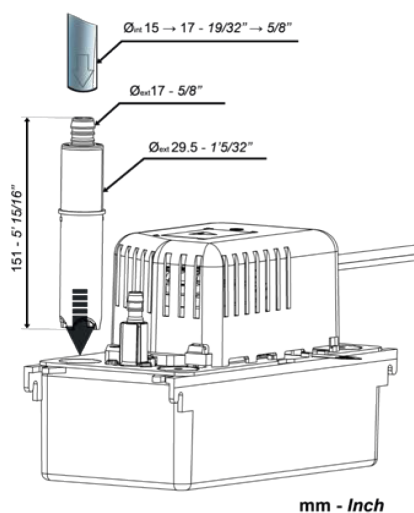
## Applications

- **Gas condensing boilers (examples):**
- 25 kW: if pH = 3.0 & volume ≤ 800 lt (200 USgal) - estimation for a 25 kW boiler
- 50 kW: if pH = 3.5 & volume ≤ 1600 lt (400 USgal) - estimation for a 50 kW boiler

based on a 12 months replacement program

## Accessories

Name	#Part
 <b>Rubber adapter</b> for PVC hose Ø ext. 15-20-24-32-40 mm OD 5/8"-3/4"-1"-1"1/4"-1"1/2"	ACC00939



## Estimated replacement period (months)

Condensate pH	Condensate Qty	25 kW	35 kW	50 kW
> 3.0	< 800 l - 200 USgal	12	8	6
> 3.5	< 1600 l - 400 USgal	24	16	12
> 4.0	< 3200 l - 800 USgal	48	32	24

