

Si-30

PISTON PUMP



Versatile technology

The high performance Si-30 is suitable for air-conditioning units **up to 20 kW**.

The piston technology is specifically designed for removing condensates from air conditioning systems. The Si-30 is fully reliable, in any kind of environment. Its operating sound level will remain silent whatever the volume of condensates.

BENEFITS



• « Sauermann inside » : Patented technology

- **Increased performance:** Only one pump, for air conditioning unit up to 20 kW
- **High resistance to pollution** created by general environment. Capable of discharging small particles.
- **Proven Reliability.**
- The **Drain Safe Device** retains prime and prolongs the pump life.



• Silent

- Quiet in operation: **20 dBA independently tested.**
- The size of the air-conditioning unit and volume of condensates to be removed does not affect the operational sound level of the pump.
- **Mounting bracket** specifically designed to **reduce vibration transmission to the wall / panel or pipework.**



• Easy to install

- **Compact design.**
- Mounting bracket: allows the pump to be **wall mounted or hung from ceilings and pipework.**
- **Lockable plug-in power cord** to avoid unintended disconnection.



• Energy saving

Improved performance and high flow rate **reduce operation time** and energy consumption.

KIT CONTENTS



- Piston pump
- * - Clear PVC tube Ø int. 6mm – L: 1m, fitted with a « Drain Safe Device » pre-mounted.
- Anti-vibration mounting bracket
- * - 1.5 m lockable plug-in power cable: 2 power wires, 2 safety switch wires.
- 6 tie wraps, 2.5 x 100mm
- Detection unit (SI2958, 1.5m cable)
- Detection unit installation kit:
 - rubber elbow 90° Øint.15 x L 60mm,
 - vent tube Ø int 4 x L 75 mm,
 - mounting rail,
 - adhesive.

APPLICATIONS

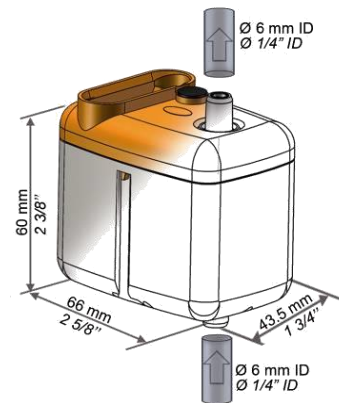
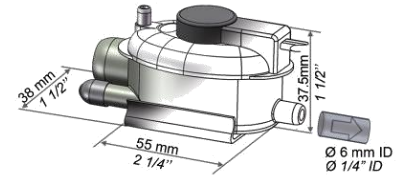
For use with any air-conditioning units, **up to 20 kW:**

- Wall mounted
- Ceiling suspended
- Ducted
- Fan-coils



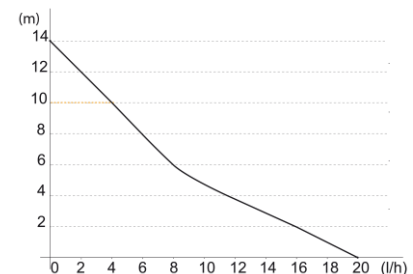
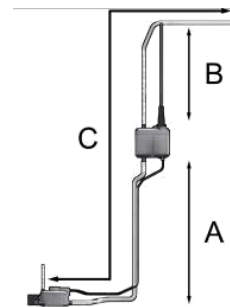
TECHNICAL SPECIFICATION

Max. flow rate	20 l/h
Max. suction head	3 m
Max. discharge head	10 m (flow rate =4l/h)
Max pressure	14 m (flow rate =0l/h)
Sound level at 1m according to EN ISO 3744 (Measured at LNE lab, pump operating with water, out of application)	20 dBA
Sound level in application at 1m: (Measured in Sauermann acoustic lab, pump operating with water)	≤ 27 dBA
Mains supply	230V~ 50/60Hz - 14 W
Insulation class	☐ (double insulation)
Detection levels	ON: 16mm, OFF: 11mm, Safety: 19mm
Safety switch	NC 8 A resistive – 250V
Thermal protection (overheating)	115°C (auto-reset)
Operating conditions	100% - Continuous duty
Protection	IP20
Safety standards	CE & EAC
RoHS directive	Compliant
WEEE directive	Compliant
Packaging	0.48kg – L135 x W135 x H90 mm
Masterpack	20 pieces

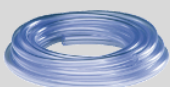


ACTUAL FLOW RATES (l/h)

Suction head (A)	Discharge head (B)	Total hose length using Ø int 6 mm, 1/4" – (C)			
		5 m	10 m	20 m	30 m
0 m	0 m	20	19	18	17
	2 m	16	15	14	13,5
	4 m	11,5	11	10,5	10
	6 m		8,5	7,5	6,5
	8 m		6	5	4
1 m	0 m	14	13	12	11
	2 m	11	10	9	8
	4 m	7,5	7	6	5
	6 m		4,5	4	
2 m	0 m	11	10	9	8
	2 m	9	8	7	6
3 m	0 m	10,5	9	8	7
	2 m	8	7	6	5
	4 m		5	4	



RECOMMENDED ACCESSORIES



Clear PVC hose Ø int. 6mm (1/4")
ACC00105 : 5 m
ACC 00150 : 50 m



6 Self-sealing fittings for hose
Ø int. 6 mm (1/4")
ACC 00205